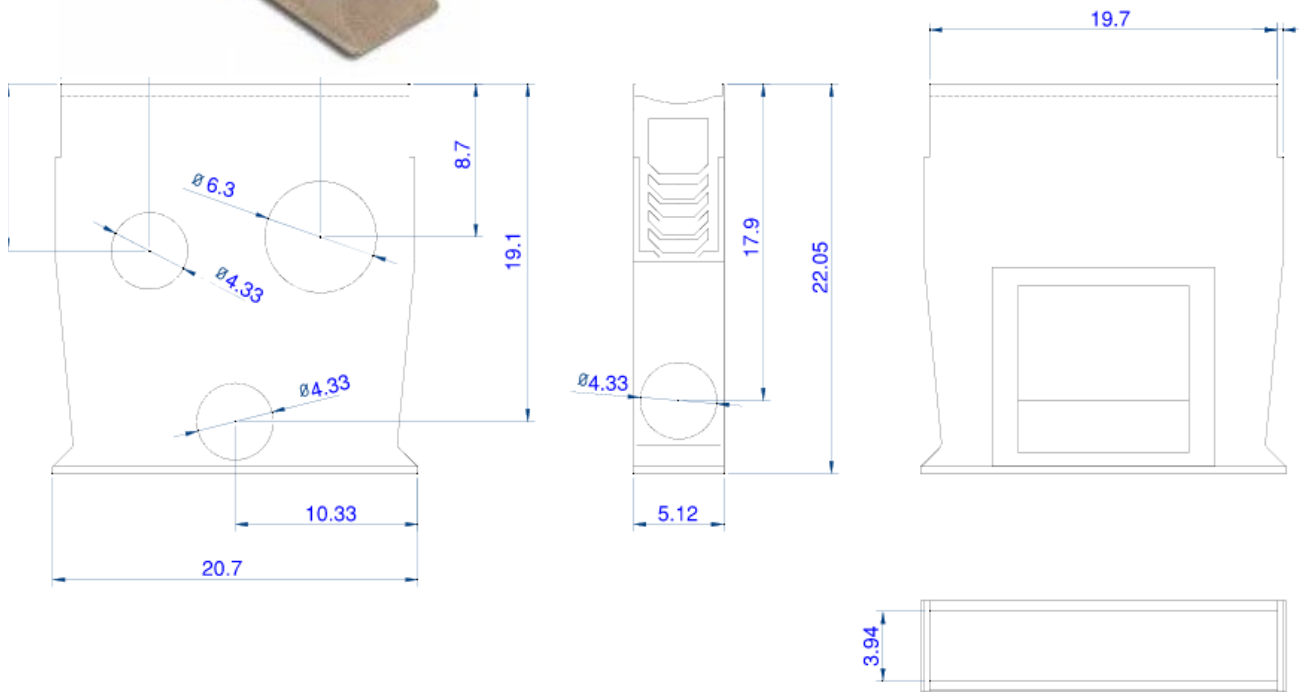



Number	AK100	Series	U100K Galvanized edge Catch Basin
---------------	--------------	---------------	---



PART NUMBER	DIMENSIONS
AK100	22.05" [560MM]



Manufacturer	Specification
	ULMA AK100 GALVANIZED EDGE POLYMER CONCRETE CATCH BASIN SUPPLIED BY TRENCH DRAIN SUPPLY

DISCLAIMER - The customer and the customer's architects, engineers, consultants, and other professionals are completely responsible for the selection installation and maintenance of any product purchased from Trench Drain Supply and/or its manufacturers. TRENCH DRAIN SUPPLY MAKES NO WARRANTY, EXPRESS OR IMPLIED, AS TO THE SUITABILITY, DESIGN, MERCHANTABILITY, OR FITNESS OF THE PRODUCT FOR CUSTOMERS APPLICATION. The drawing and information provided remain the property and copyright of the manufacturer listed. The manufacturer reserves the right to modify specification without notice.